

N27D RAIL-MOUNTED NETWORK METER

FEATURES:

63 A

INPUTS:

V A

W Hz



GALVANIC ISOLATION:



- Direct measurement up to 63A.
- Measurement of: RMS current (a.c.) and voltage (a.c.), active power and frequency.
- Switched measured value.
- 4-digit display in yellow colour.
- Backlighted indicator of displayed value.
- Modern design allows for installation of the meter in modular switchgear in accordance with EN 62208 (meter has a width of 3 modules) on 35 mm rail.

INPUTS

Kind of input	Measuring range	Parameters	Basic error
Voltage input U	0... <u>0.01</u> ... <u>1.2</u> Un	input resistance: > 3 MΩ	± (0.5% of the range) in frequency range 40...500 Hz
Current input I	0... <u>0.01</u> ... <u>1.2</u> In		± (0.5% of the range) in frequency range 45...65 Hz
Voltage frequency	0... <u>2.00</u> ... <u>500.0</u> Hz		± (0.02% of the range)
Current frequency	0... <u>45.00</u> ... <u>500.00</u> Hz		
Active power	-45.4 ... <u>-31.5</u> ... <u>31.50</u> ... 45,36 kW at frequency 45... 65 Hz		± (1% of the range) at frequency 45...65 Hz

EXTERNAL FEATURES

Readout field	4-digit LED displays - digit height: 8,5 mm - yellow, indication range: -1999...9999	
Weight	< 0.25 kg	
Overall dimensions	53 x 110 x 60 mm	Bezel: 45 × 53 mm
Protection grade	IP00	acc. to EN 60529
Fixing	on a 35 mm rail	acc. to EN 60715

RATED OPERATIONS CONDITIONS

Supply voltage	230 V ± 10% a.c. (45...65 Hz)	Power consumption < 6 VA
Input voltage Un	500 V a.c. 0... <u>2</u> ... <u>40.0</u> ... <u>500.0</u> Hz	
Input current In	63 A a.c. 0... <u>45.0</u> ... <u>500.0</u> Hz	
Temperature	ambient: -10... <u>23</u> ...55°C	Storage: -25...85°C
Relative humidity	< 95%	Condensation inadmissible
Operating position	any	

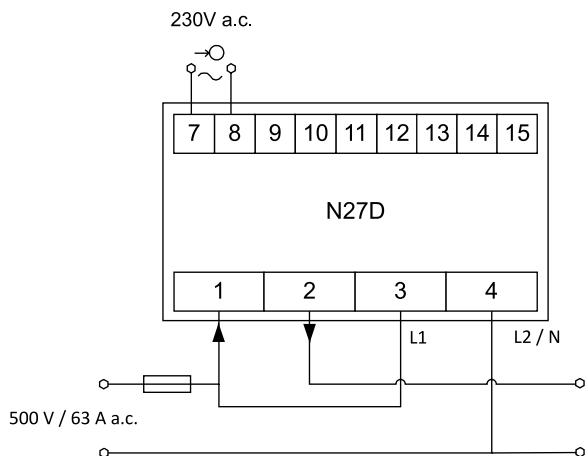
Export department:
+48 68 45 75 139/ 321/ 368
Fax: +48 68 32 54 091
e-mail: export@lumel.com.pl

LUMEL S.A.
ul. Sulechowska 1
65-022 Zielona Góra
POLAND
WWW.LUMEL.COM.PL

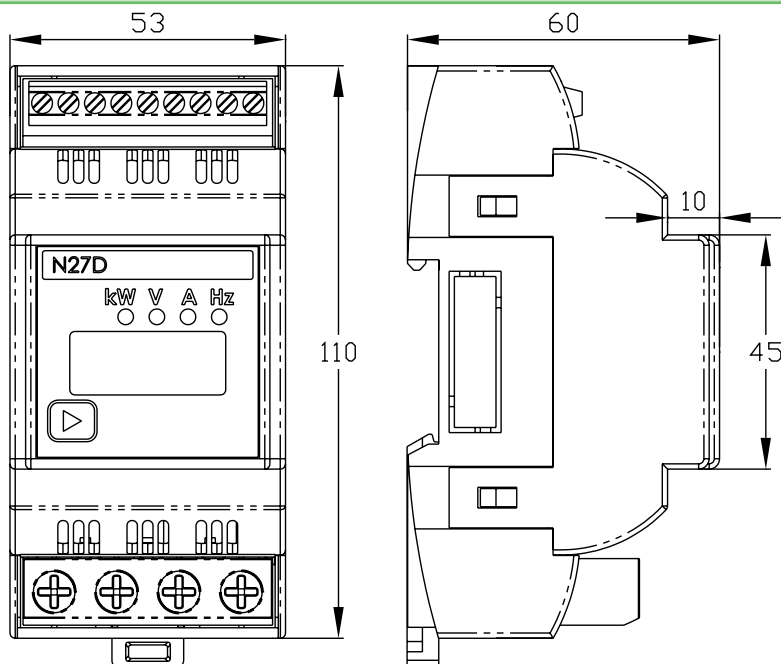
SAFETY AND COMPATIBILITY REQUIREMENTS

Electromagnetic compatibility	noise immunity	acc. to EN 61000-6-2
	noise emissions	acc. to EN 61000-6-4
Installation category	III up to 300 V (II for 300 ... 600 V)	acc. to EN 61010-1
Pollution grade	2	
Phase-to-earth operating voltage	- for the supply circuit: 300 V, - for the measuring input 600 V – category II (300 V – category III)	

CONNECTION DIAGRAM



EXTERNAL DIMENSIONS



ORDERING

	N27D - XX	X	X
Version:			
standard	00		
custom-made*	XX		
Language:			
Polish		P	
English		E	
other*		X	
Acceptance tests:			
without extra quality requirements			0
with an extra quality inspection certificate			1
acc. to customer's request*			X

ORDERING EXAMPLES:

Code: **N27D - 00 E 0** means:

- N27D** - rail mounted digital meter
- 00** - standard version
- E** - English language,
- 0** - without extra quality inspection requirements.

* - after agreeing with the manufacturer

For more information about LUMEL's products please visit our website:
www.lumel.com.pl

Export department:
+48 68 45 75 139/ 321/ 368
Fax: +48 68 32 54 091
e-mail: export@lumel.com.pl

LUMEL S.A.
ul. Sulechowska 1
65-022 Zielona Góra
POLAND
WWW.LUMEL.COM.PL